

NEMA17 Bipolar Stepper Motor

Rev: A

Date: 2011/02/21

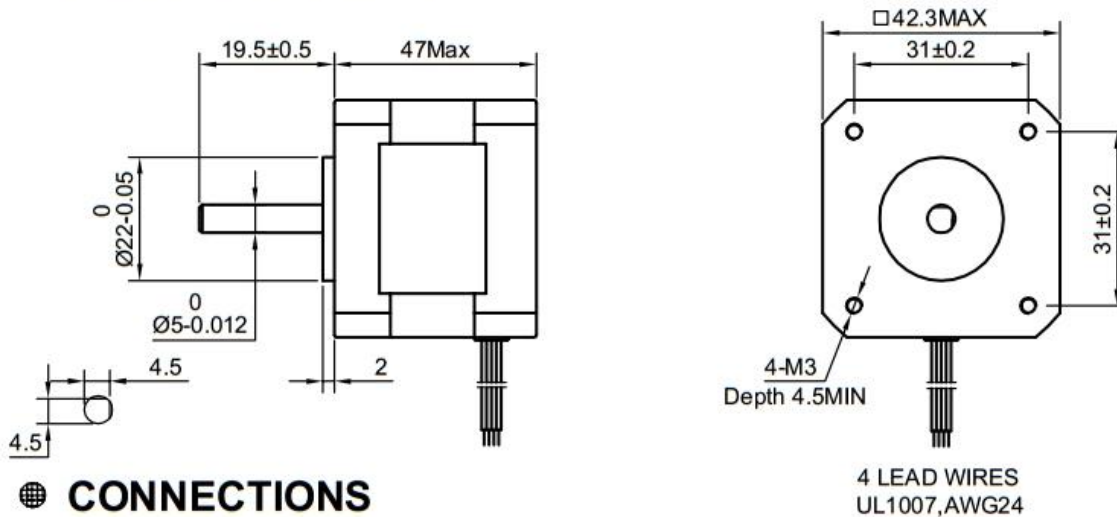
COMMON RATINGS

Step angle :	1.8°	Dielectric strength :	500VAC
Positional accuracy :	±5%	Insulation resistance :	100Mohm(500VDC)
Number of Phase :	2	Operating temperature :	-10°C~50°C
Temperature rise :	80°C MAX	Insulation class :	B
Rotor inertia :	82 gcm ²	Weight :	0.40 Kg

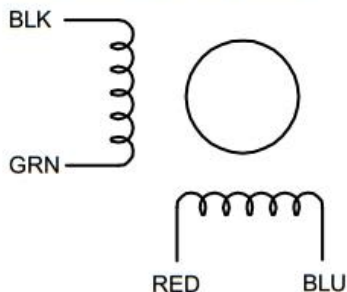
SPECIFICATIONS

Holding torque (2 phases on) N.m	Rated Current/Phase (Amps DC)	Phase Resistance (ohms) ±10%	Voltage Current/Phase (V DC)	Phase Inductance (mH)±20%(1KHz) Typical
0.59	2.0	1.4	2.8	3.0

DIMENSIONS unit=mm



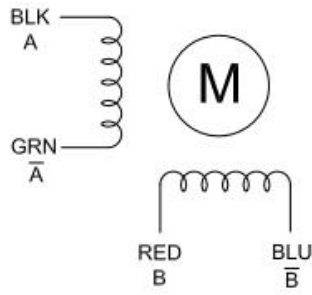
CONNECTIONS




Note:
1. Lead Wires should be stripped & tinned.
2. All the parts are CE and Rosh Certified.

						ALTN1728S87			技术规格书		
标记	处数	分区	更改文件号	签名	日期				OSM TECHNOLOGY		
设计			标准化			阶段标记	重量	比例			
审核											
工艺			批准			共 张 第 张					

4 Wires Bi-Polar Full Step



CW DIRECTION	STEP	A	\bar{A}	B	\bar{B}
	1	+		+	
	2		+	+	
	3		+		+
	4	+			+
	1	+		+	

● direction of rotation as viewed from mounting end of motor

N

**17HS19-2004S PULL OUT TORQUE
2.0A/PHASE 24V CONSTANT CURRENT HALF STEP**

