

Specifications:

Step Angle: 1.8 Degree

Frame Size: NEMA 34

Body Length (in): 5.00

Body Length (mm): 127.0

Current (AMP): 7.70

Holding Torque (oz-in): 1288.0

Holding Torque (N-m): 9.10

Resistance: 0.30

Rotor Inertia (oz-in²): 21.90

Number of leads: 4

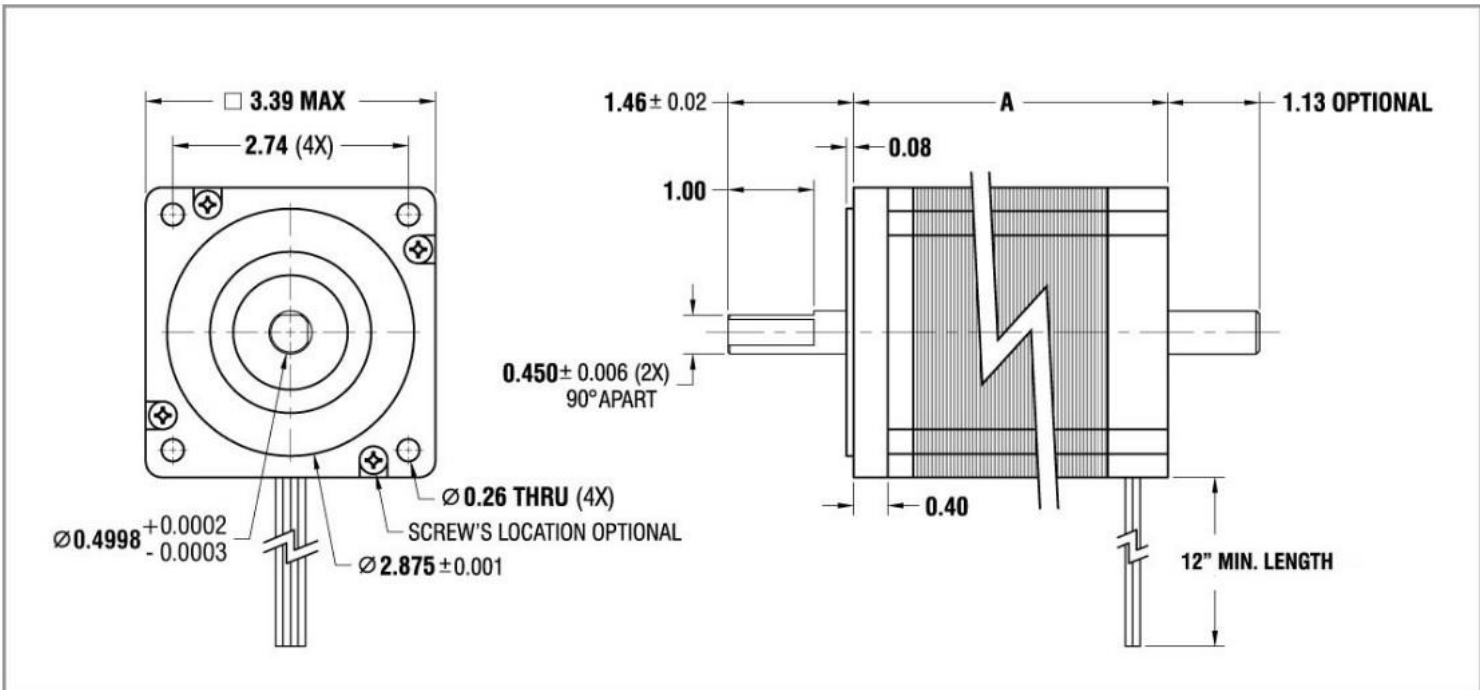
Connection: Parallel

Weight (lbs): 8.44

Branding: PowerStep High Torque

Vacuum Rating:

Standard Motor Dimensions



Model Number:	Length A (in)	Length A (mm)
8718L-08P	5.00 in	127.0 mm

8718L-08P Torque Curve

8718L-08S 48VDC, 3.85 Amps/Phase, Bipolar Series, 1/2 Stepping
8718L-08P 48VDC, 7.70 Amps/Phase, Bipolar Parallel, 1/2 Stepping

