



Small Fully Insulated Crocodile Clip

Part Number:- 126017
Standard Colours. Red Black Green Yellow Blue White
Features Accepts all standard 4mm plugs

IEC 61010 Rating.
Measurement Category. 300V CAT II
Current Rating. 10 Amp
Insulation Category. Double/Reinforced.
Pollution Degree. Two (2)

Silvertronic confirm that the product(s) listed have been designed, manufactured and tested to and are therefore fully compliant to:

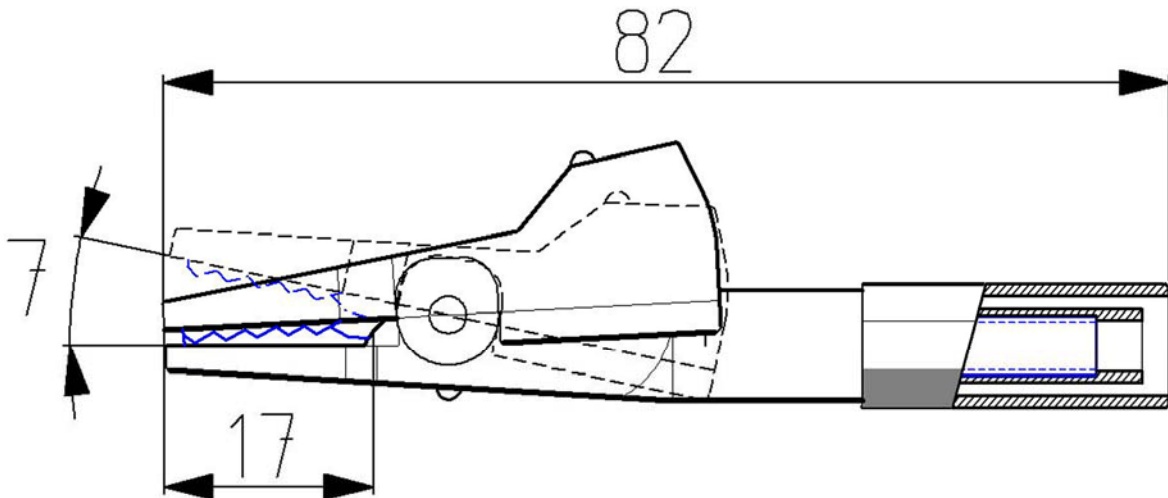
IEC61010-031:2002 (First Edition) + Amd. 1:2008.

Together with the corresponding UL and CSA Standards, and are subject of a CB Scheme report. All products marked as per IEC requirements. UL and CSA marking upon request.

All testing carried out by independent third party test house and CB Test Laboratory,

MET Laboratories Inc. Baltimore MD 21230 USA

The product(s) also meet the requirements of the Low Voltage Directive and where applicable comply with HSE GS.38.



DECLARATION OF CONFORMITY

SILVERTRONIC Ltd. confirm that the products listed below have been Designed, Manufactured and Tested to, and therefore are fully compliant to;
IEC1010-1 1990 inc. Amendment 2-1995 & IEC1010-2-031 First Edition-1993
and thus meet **THE LOW VOLTAGE DIRECTIVE (LVD) 73/23/EEC and amending directive 93/68/EEC**

PRODUCT TYPE / DESCRIPTION				PAIR OF MINI CROCS + ADAPTOR	
PART No.				134226	
IEC1010 RATING	VOLTAGE	300	Volts	INSULATION CATEGORY	II (2)

MAXIMUM RATED CURRENT	10	Amps
POLLUTION DEGREE	2	
INSULATION CATEGORY	DOUBLE/REINFORCED	

INCLUDES FOLLOWING ASSEMBLIES / COMPONENTS SUBJECT TO INDIVIDUAL TEST.	DESCRIPTION	PART No.
	MINI CROC. + ADAPTOR	126017



All Testing carried out by Third Party Testhouse
CRANAGE EMC TESTING Ltd.
(LVD TESTING DEPARTMENT)



www.silvertronic.com
e-mail: sales@silvertronic.com

Registration No. 1993292

North American Office
4405 Sharon Copley Road,
Medina, Ohio, 44256.
Toll Free: (866) 556 3308
Facsimile: (330) 722 2281



Date
22/12/98

Drn.By
Steve \$

Title
FULL SAFETY MINI-CROC. KIT

ISSUE No.

1
22/12/98
REDRAWN

Part No. **134226**

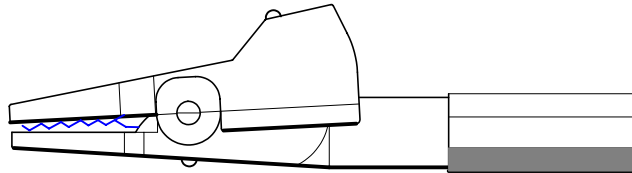
This drawing is not to be disclosed to a third party without the authority from the company.©

Scale
FULL SIZE

IEC 1010 COMPLIANT RATING:
300 VOLTS CAT II 10 AMPS MAX. POL DEG. 2

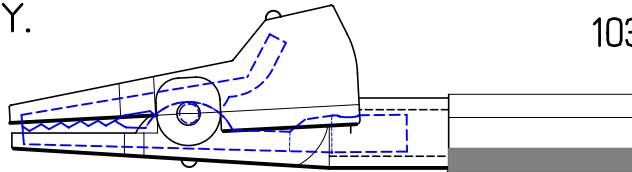
PROJECT No. -

1No. RED & BLACK 126017 MINI-CROC



4mm F.S. ADAPTOR

126000 MINI-CROC. ASSY.



103072N + 108008N + 113218 BACK.

ASSEMBLY JIG NUMBERS

PACKAGING
POLY BAG: 111503
LABEL: _____

PRINTING AS ILLUSTRATED

TOLERANCES

CABLE LENGTHS +/- 5%

DO NOT SCALE.
ALL DIMENSIONS IN mm.