

Nema 8 Hybrid Stepper Motor

Rev: B

Date: 140306

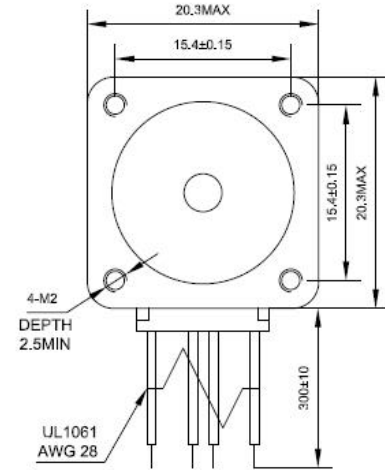
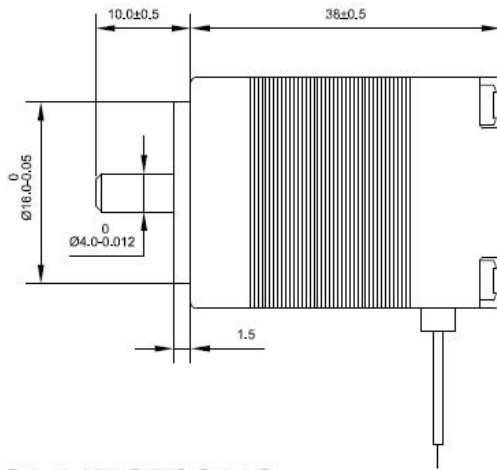
COMMON RATINGS

Step angle :	1.8°	Dielectric strength :	500VAC
Positional accuracy :	±5%	Insulation resistance :	100Mohm(500VDC)
Number of Phase :	2	Ambient Temperature :	-10°C~50°C
Temperature rise :	80°C MAX	Insulation class :	B
Rotor Inertia :	4gcm ²	Weight :	0.08Kg

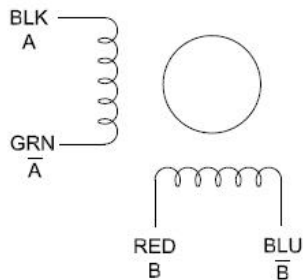
SPECIFICATIONS

Holding Torque (2 phases on) oz-in/N.cm	Rated Current/Phase (Amps DC)	Phase Resistance (ohms) ±10%	Rated Voltage/Phase (V DC)	Phase Inductance (mH) ±20%(1KHz) Typical
5.7/4.0	0.6	10.0	6.0	5.5

DIMENSIONS unit=mm



CONNECTIONS

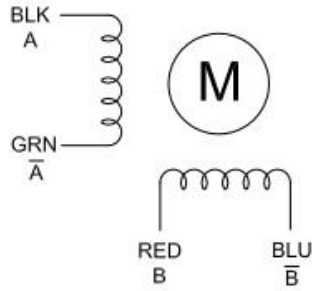



Note:

1. Lead Wires Should Be Stripped & Tinned.
2. All The Parts Are CE & RoHS Certified.

						8HS15-0604S			技术规格书		
标记	处数	分区	更改文件号	签名	日期				OSM TECHNOLOGY		
设计			标准化			阶段标记	重量	比例			
审核											
工艺			批准			共 张 第 张					

4 Wires Bi-Polar Full Step



CW DIRECTION	STEP	A	\bar{A}	B	\bar{B}
	1	+		+	
	2		+	+	
	3		+		+
	4	+			+
	1	+		+	

● direction of rotation as viewed from mounting end of motor

N

8HS15-0604S PULL OUT TORQUE 0.6A/PHASE 24V CONSTANT CURRENT FULL STEP

