

# Nema 17 Hybrid Stepper Motor

Rev: A

Date:140306

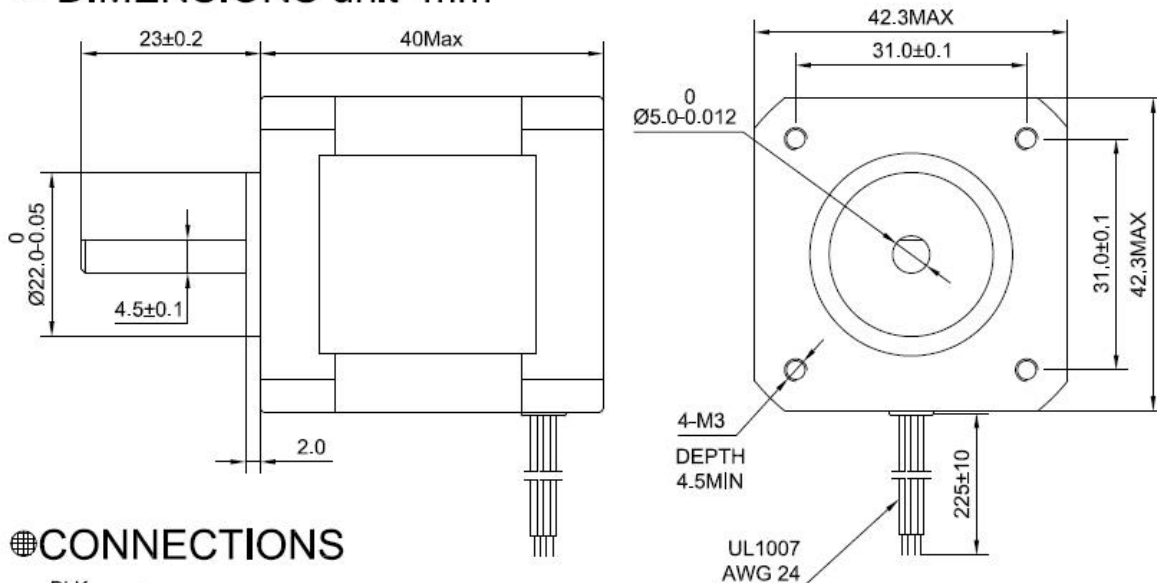
## COMMON RATINGS

Step angle :	1.8°	Dielectric strength :	500VAC
Positional accuracy :	±5%	Insulation resistance :	100Mohm(500VDC)
Number of Phase :	2	Ambient Temperature :	-10°C~50°C
Temperature rise :	80°C MAX	Insulation class :	B
Rotor Inertia :	54gcm <sup>2</sup>	Weight :	0.3Kg

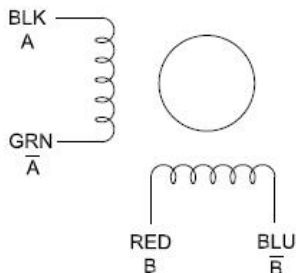
## SPECIFICATIONS

Holding Torque ( 2 phases on ) oz-in/N.m	Rated Current/Phase (Amps DC )	Phase Resistance ( ohms ) ±10%	Rated Voltage/Phase ( V DC )	Phase Inductance ( mH )±20%(1KHz) Typical
63.7/0.45	1.0	1.1	3.9	2.26

## DIMENSIONS unit=mm



## CONNECTIONS

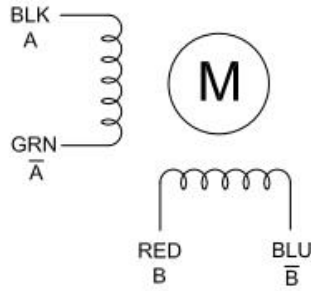



### Note:

1. Lead Wires Should Be Stripped & Tinned.
2. All The Parts Are CE & RoHS Certified.

					ALTN1728S56			技术规格书	
标记	处数	分区	更改文件号	签名	日期			OSM TECHNOLOGY	
设计			标准化			阶段标记	重量		
审核									
工艺			批准			共张	第张		

### 4 Wires Bi-Polar Full Step



CW DIRECTION	STEP	A	$\bar{A}$	B	$\bar{B}$
	1	+		+	
	2		+	+	
	3		+		+
	4	+			+
	1	+		+	

● direction of rotation as viewed from mounting end of motor

N

### ALTN1728S56 PULL OUT TORQUE 2.0A/PHASE 24V CONSTANT CURRENT HALF STEP

