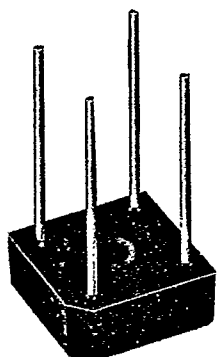


KBPC1/BR3 SERIES



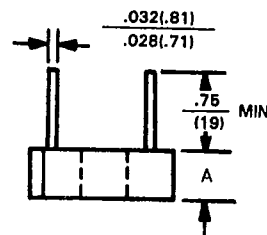
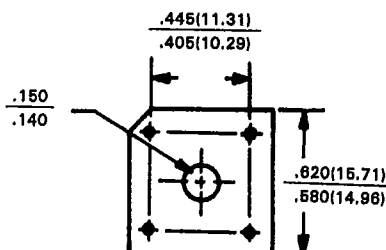
3.0A SINGLE-PHASE SILICON BRIDGE



FEATURES

- Surge overload rating—50 amperes peak
- Low forward voltage drop
- Small size; simple installation
- Tinned copper leads
- Mounting Position: Any
- Mounting: Thru hold for #6 screw

VOLTAGE RANGE
50 to 1000 Volts PRV
CURRENT
3.0 Amperes



	A
KBPC1	.270(6.86) .230(5.84)
BR3	.213(5.4) .193(4.9)

Dimensions in inches and (millimeters)

MAXIMUM RATINGS AND ELECTRICAL CHARACTERISTICS

Rating at 25°C ambient temperature unless otherwise specified.
Single phase, half wave, 60Hz, resistive or inductive load.
For capacitive load, derate current by 20%.

	BR305	BR31	BR32	BR34	BR36	BR38	BR310	UNITS
	KBPC1005	KBPC101	KBPC102	KBPC104	KBPC106	KBPC108	KBPC110	
Maximum Recurrent Peak Reverse Voltage	50	100	200	400	600	800	1000	V
Max RMS Bridge Input Voltage	35	70	140	280	420	560	700	V
Maximum Average Forward Rectified Output Current at								A
TC = 50°C*								A
TC = 100°C*								A
TA = 50°C**								A
Peak Forward Surge Current, 8.3 ms single half sine-wave superimposed on rated load	50.0							A
Maximum Forward Voltage Drop per Bridge Element at 1.5A Peak	1.2							V
Maximum Reverse Current at Rate DC Blocking Voltage per element	10.0 1.0							µA mA
Operating Temperature Range TC	-55 to +125							°C
Storage Temperature Range TA	-55 to +150							°C

Notes : * Unit mounted on metal chassis

** Unit mounted on P.C. board

RATING AND CHARACTERISTICS CURVES
KBPC1 SERIES/BR3 SERIES

Fig. 1 - MAXIMUM FORWARD SURGE CURRENT

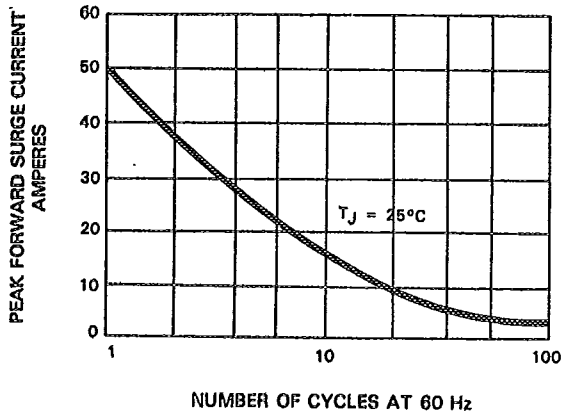


Fig. 2 - DERATING CURVE FOR OUTPUT RECTIFIED CURRENT

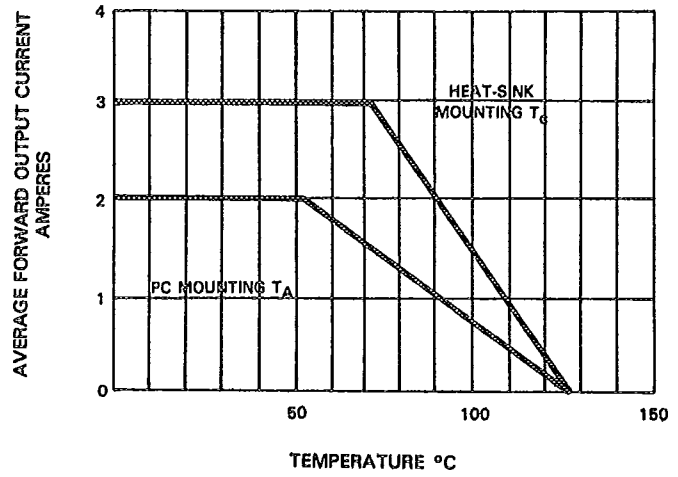


Fig. 3 - TYPICAL FORWARD CHARACTERISTICS

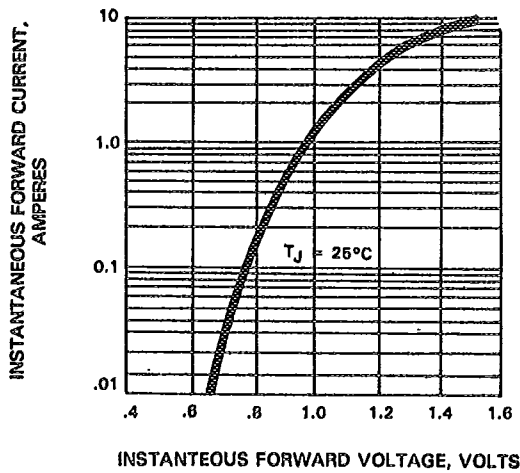
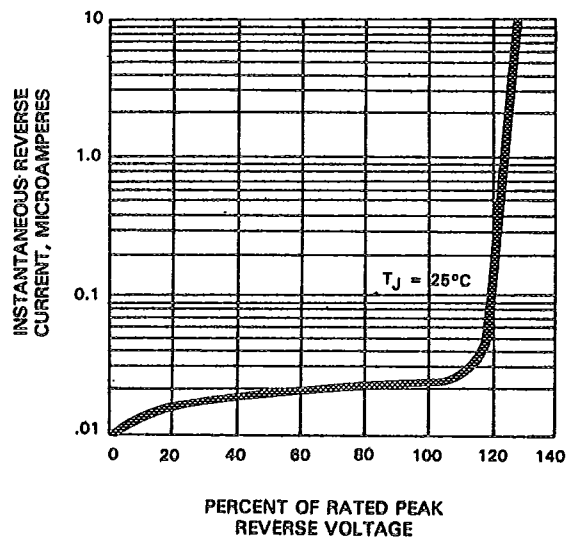


Fig. 4 - TYPICAL REVERSE CHARACTERISTICS



SEP ELECTRONIC CORP.

3FL, NO. 25-4, PAO-HSING ROAD,
HSIN TIEN, TAIPEI HSIEN, TAIWAN R. O. C.
TEL: (02)9175364, 9179954
FAX:886-2-9179954

PACKAGING

REEL PACKAGING

DEVICE CASE TYPE	QTY (PCS/REEL)	COMPONENT SPACING "A" FIG 1	APPROX GROSS WEIGHT PER REEL PACKED	CARTON SIZE	(PCS/CARTON)	APPROX. GROSS WEIGHT
DO41	5000	5mm	2.32KG	34 x 34 x 34.5cm (13.4 x 13.4 x 13.6in)	25,000PCS	10.5KG
DO15	4000	(.197in)	2.25KG		20,000PCS	10.0KG
DO201AD	1200	10mm	2.08KG		6,000PCS	9.2KG
P6	700	(.394in)	1.55KG		3,500PCS	7.3KG

FIG. 1

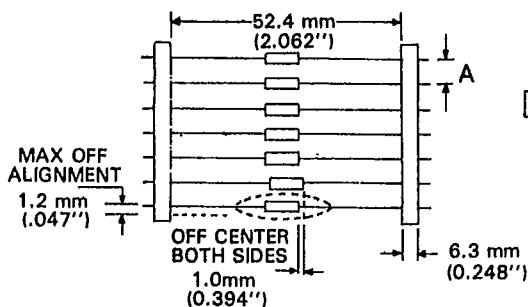


FIG. 2

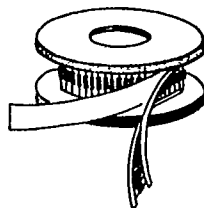
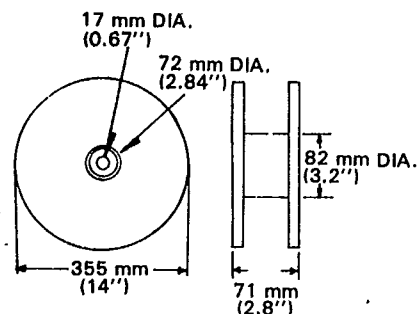


FIG. 3



AMMUNITION PACKAGING

DEVICE CASE TYPE	QTY (PCS/BOX)	COMPONENT SPACING "A" FIG 1	BOX SIZE	APPROX GROSS WEIGHT	CARTON SIZE	QTY PCS/CARTON	APPROX. GROSS WEIGHT
DO41	4000	5mm	26 x 10 x 10cm (10.24 x 3.94 x 3.94in)	1.55KG (3.42LB)	(30 x 27 x 22cm) (11.81x10.63 x 8.66in)	24,000	10KG (22.05LB)
DO15	2200	(.197in)		1.55KG (3.42LB)		13,200	10KG (22.05LB)
DO201AD	1000	10mm		1.4KG (2.6LB)		6,000	9.4KG (20.72LB)
P6	300	(.394in)		0.8KG (1.75LB)		1,800	7KG (15.43LB)

BLUK PACKAGING

DEVICE CASE TYPE	BOX SIZE	QTY PCS/BOX	APPROX. GROSS WEIGHT	CARTON SIZE	QTY PCS/CARTON	APPROX GROSS WEIGHT
DO41	20.3 x 8.3 x 2.54cm	1000PCS	0.38KG (0.84LB)	46 x 21.5 x 25.4cm	50,000PCS	20KG (44LB)
DO15	(8 x 3.5 x 1 in)	500PCS	0.21KG (0.46LB)		25,000PCS	12KG (26.5LB)
DO201AD	20.3 x 8.3 x 5.08cm	500PCS	0.68KG (1.5LB)	(18 x 8.5 x 10in)	12,500PCS	18KG (39.7LB)
P6	(8 x 3.5 x 2in)	200PCS	0.50KG (1.1LB)		5000PCS	13.5KG (29.8LB)
WO/WOM/RB15	21 x 9 x 8.8cm (8.27 x 3.54 x 3.46in)	500PCS	STD 0.98KG(2.16LB) MIN 0.78KG(1.72L)	18.9 x 8.7 x 14.2in (48 x 22 x 36cm)	10,000PCS	STD 21KG(46.2LB) MIN 17KG(37.4 LB)
KBP/RS2	235 x 235 x 55mm (9.3 x 9.3 x 2.2in)	400PCS	1.24KG (2.73LB)	510 x 250 x 300mm (20.1 x 9.8 x 11.8in)	4000PCS	13.1KG (28.8LB)
KBL/RS4L			2.36KG (5.19LB)			24.3KG (53.5LB)
KBU/RS6			2.6KG (5.72LB)			26.7KG (58.7LB)
KBPC8/BR8/BR10			1.3KG (2.86LB)			13.7KG (30.1LB)
B...C/RS5	210 x 210 x 55mm (8.3 x 8.3 x 2.2in)	200PCS	2.16KG (4.75LB)	470 x 220 x 270mm (19.0 x 8.7 x 10.6in)	1600PCS	22.3KG (49.1LB)
KBPC1/BR3			0.66KG (1.45LB)			5.9KG (13LB)
KBPC6/BR6			0.94KG (2.07LB)			8.1KG (17.8LB)
KBPC10/15/25/35	20.6x20.6x5.6cm (8.1x8.1x2.2in)	50PCS	1.79KG (3.94LB)	46x21.5x25.4cm (18x8.5x10in)	400PCS	14.9KG (32.8LB)
HVP			1.6KG (3.53LB)			13KG (28.7LB)