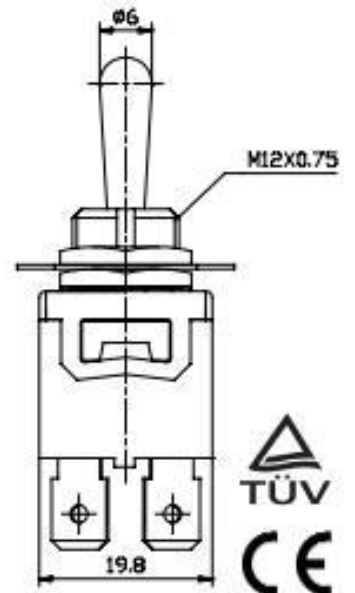
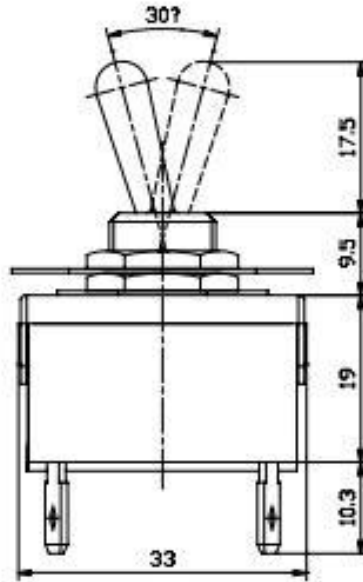
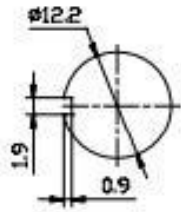


# Alltronics SKU – E1006

Toggle ON-OFF/DPST 4P, 20 AMPS/125 VAC, 15 AMPS/250 VAC

## HEAVY DUTY TOGGLE SWITCH



RoHS



Ref : 66-1904