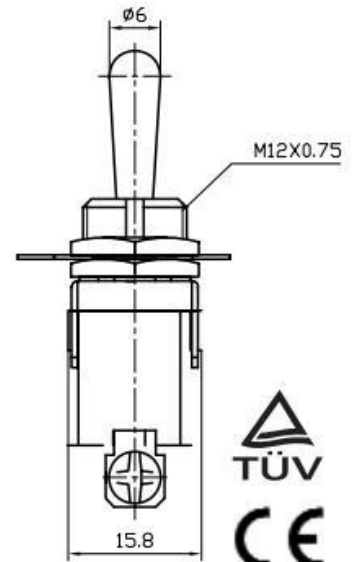
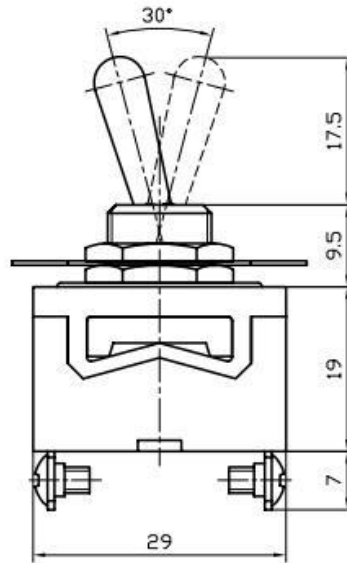
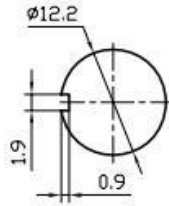


Alltronics SKU – E1004

Toggle ON-OFF/SPST 2P, 20 AMPS/125 VAC, 15 AMPS/250 VAC

HEAVY DUTY TOGGLE SWITCH



Ref : 66-1801