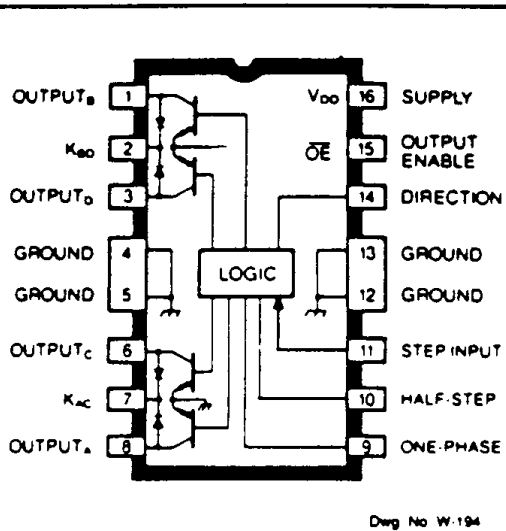


5804 BiMOS UNIPOLAR STEPPER MOTOR TRANSLATOR/DRIVER



Draw No. W-194

ABSOLUTE MAXIMUM RATINGS

Output Voltage, V_{CE}	50 V
Output Sustaining Voltage, $V_{CE(sus)}$	35 V
Output Sink Current, I_{OUT}	1.5 A
Logic Supply Voltage, V_{DD}	7.0 V
Input Voltage, V_{IN}	7.0 V
Package Power Dissipation, P_D	See Graph
Operating Temperature Range, T_A	-20°C to +85°C
Storage Temperature Range, T_S	-55°C to +150°C

Combining low-power CMOS logic with high-current and high-voltage bipolar outputs, the UCN5804B BiMOS II translator/driver provides complete control and drive for a four-phase unipolar stepper-motor with continuous output current ratings to 1.25 A per phase (1.5 A startup) and 35 V.

The CMOS logic section provides the sequencing logic, DIRECTION and OUTPUT ENABLE control, and a power-ON reset function. Three stepper-motor drive formats, wave-drive (one-phase), two-phase, and half-step are externally selectable. The inputs are compatible with standard CMOS, PMOS, and NMOS circuits. TTL or LSTTL may require the use of appropriate pull-up resistors to ensure a proper input-logic high.

The wave-drive format consists of energizing one motor phase at a time in an A-B-C-D (or D-C-B-A) sequence. This excitation mode consumes the least power and assures positional accuracy regardless of any winding imbalance in the motor. Two-phase drive energizes two adjacent phases in each detent position (AB-BC-CD-DA). This sequence mode offers an improved torque-speed product, greater detent torque, and is less susceptible to motor resonance. Half-step excitation alternates between the one-phase and two-phase modes (A-AB-B-BC-C-CD-D-DA), providing an eight-step sequence.

The bipolar outputs are capable of sinking up to 1.5 A and withstanding 50 V in the OFF state (sustaining voltages up to 35 V). Ground clamp and flyback diodes provide protection against inductive transients. Thermal protection circuitry disables the outputs when the chip temperature is excessive.

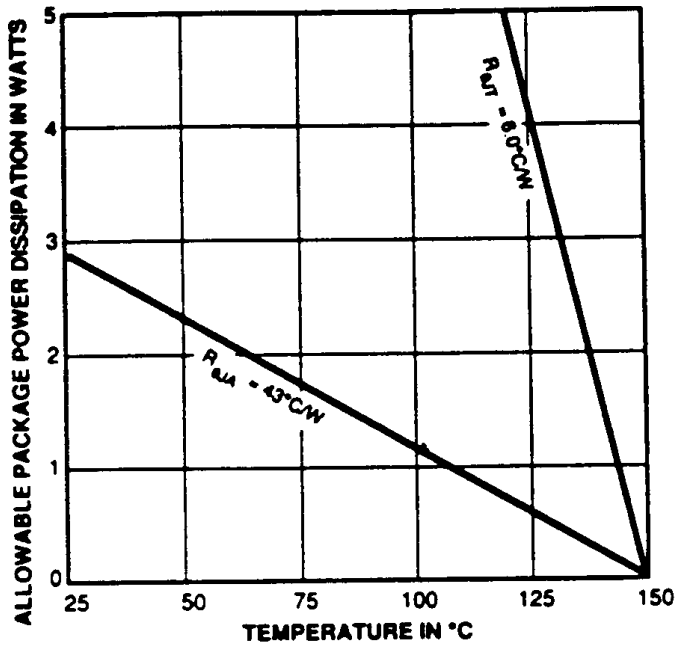
The UCN5804B is rated for operation over the temperature range of -20°C to +85°C. It is supplied in a 16-pin dual in-line plastic batwing package with a copper lead frame and heat-sinkable tabs for improved power dissipation capabilities.

FEATURES

- 1.5 A Maximum Output Current
- 35 V Output Sustaining Voltage
- Wave-Drive, Two-Phase, and Half-Step Drive Formats
- Internal Clamp Diodes
- Output Enable and Direction Control
- Power-ON Reset
- Internal Thermal Shutdown Circuitry

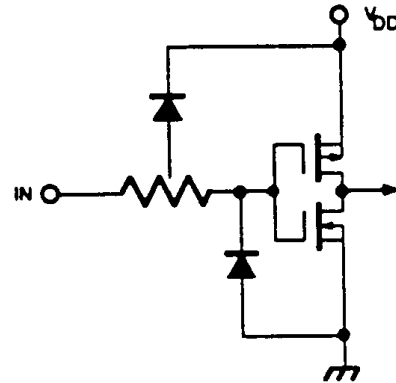
Always order by complete part number: **931002**.

5804 BiMOS UNIPOLAR STEPPER MOTOR TRANSLATOR/DRIVER



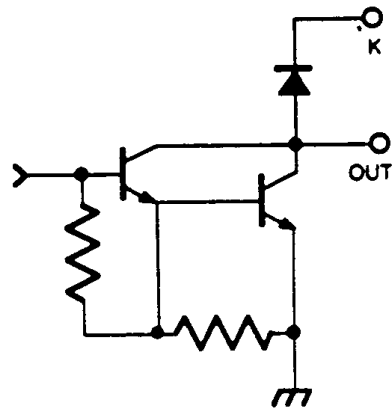
Doc No GP-0108

TYPICAL INPUT CIRCUIT



Doc No EP-C10-5

TYPICAL OUTPUT DRIVER



Doc No EP-C21-4

TRUTH TABLE

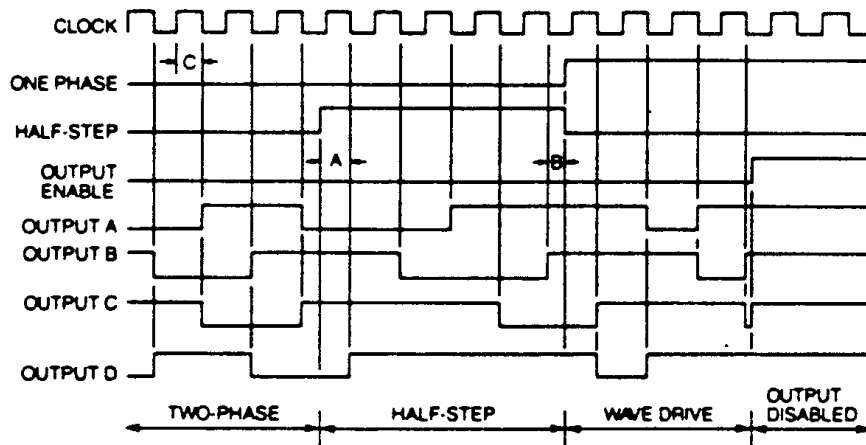
Drive Format	Pin 9	Pin 10
Two-Phase	L	L
One-Phase	H	L
Half-Step	L	H
Step-Inhibit	H	H

5804 BiMOS UNIPOLAR STEPPER MOTOR TRANSLATOR/DRIVER

ELECTRICAL CHARACTERISTICS at $T_A = 25^\circ\text{C}$, $T_J \leq 150^\circ\text{C}$, $V_{DD} = 4.5\text{ V to }5.5\text{ V}$
(unless otherwise noted).

Characteristic	Symbol	Test Conditions	Limits			Units
			Min.	Typ.	Max.	
Output Leakage Current	I_{CEX}	$V_{OUT} = 50\text{ V}$	—	10	50	μA
Output Sustaining Voltage	$V_{CE(SUS)}$	$I_{OUT} = 1.25\text{ A}$, $L = 3\text{ mH}$	35	—	—	V
Output Saturation Voltage	$V_{CE(SAT)}$	$I_{OUT} = 700\text{ mA}$	—	1.0	1.2	V
		$I_{OUT} = 1\text{ A}$	—	1.1	1.4	V
		$I_{OUT} = 1.25\text{ A}$	—	1.2	1.5	V
Clamp Diode Leakage Current	I_R	$V_R = 50\text{ V}$	—	10	50	μA
Clamp Diode Forward Voltage	V_F	$I_F = 1.25\text{ A}$	—	1.5	3.0	V
Input Current	$I_{IN(1)}$	$V_{IN} = V_{DD}$	—	0.5	5.0	μA
	$I_{IN(0)}$	$V_{IN} = 0.8\text{ V}$	—	-0.5	-5.0	μA
Input Voltage	$V_{IN(1)}$	$V_{DD} = 5\text{ V}$	3.5	—	5.3	V
	$V_{IN(0)}$		-0.3	—	0.8	V
Supply Current	I_{DD}	2 Outputs ON	—	20	30	mA
Turn-Off Delay	t_{ON}	50% Step Inputs to 50% Output	—	—	10	μs
Turn-On Delay	t_{OFF}	50% Step Inputs to 50% Output	—	—	10	μs
Thermal Shutdown Temperature	T_J		—	165	—	$^\circ\text{C}$

TIMING CONDITIONS



Desig. No. W-110A

- A. Minimum Data Set Up Time 100 ns
- B. Minimum Data Hold Time 100 ns
- C. Minimum Step Input Pulse Width 500 ns

5804 BiMOS UNIPOLAR STEPPER MOTOR TRANSLATOR/DRIVER

APPLICATIONS INFORMATION

Internal power-ON reset (POR) circuitry resets OUTPUT_A (and OUTPUT_B in the two-phase drive format) to the ON state with initial application of the logic supply voltage. After reset, the circuit then steps according to the tables.

The outputs will advance one sequence position on the high-to-low transition of the STEP INPUT pulse. Logic levels on the HALF-STEP and ONE-PHASE inputs will determine the drive format (one-phase, two-phase, or half-step). The DIRECTION pin determines the rotation sequence of the outputs. Note that the STEP INPUT must be in the low state when changing the state of ONE-PHASE, HALFSTEP, or DIRECTION to prevent erroneous stepping.

All outputs are disabled (OFF) when OUTPUT ENABLE is at a logic high. If the function is not required, OUTPUT ENABLE should be tied low. In that condition, all outputs depend only on the state of the step logic.

During normal commutation of a unipolar stepper motor, mutual coupling between the motor windings can force the outputs of the UCN5804B below ground. This condition will cause forward biasing of the collector-to-substrate junction and source current from the output. For many L/R applications, this substrate current is high enough to adversely affect the logic circuitry and cause misstepping. External series diodes (Schottky are recommended for increased efficiency at low voltage operation) will prevent substrate current from being sourced through the outputs. Alternatively, external ground clamp diodes will provide a preferred current path from ground when the outputs are pulled below ground.

Internal thermal protection circuitry disables all outputs when the junction temperature reaches approximately 165°C. The outputs are enabled again when the junction cools down to approximately 145°C.

WAVE-DRIVE SEQUENCE

Half Step = L, One Phase = H				
Step	A	B	C	D
POR	ON	OFF	OFF	OFF
1	ON	OFF	OFF	OFF
2	OFF	ON	OFF	OFF
3	OFF	OFF	ON	OFF
4	OFF	OFF	OFF	ON

TWO-PHASE DRIVE SEQUENCE

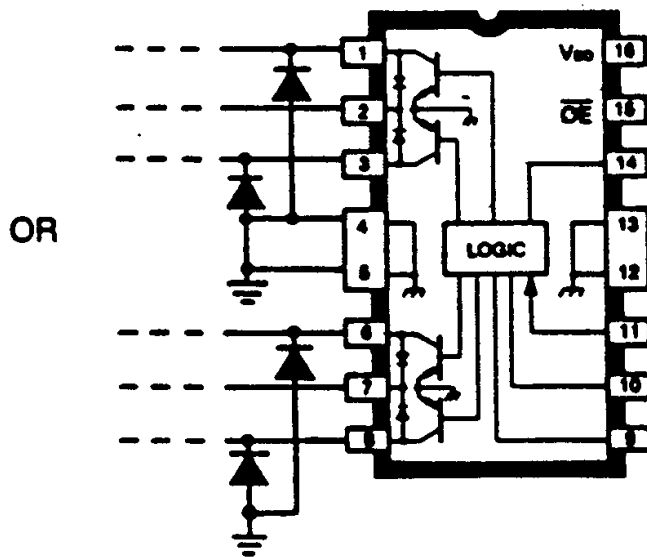
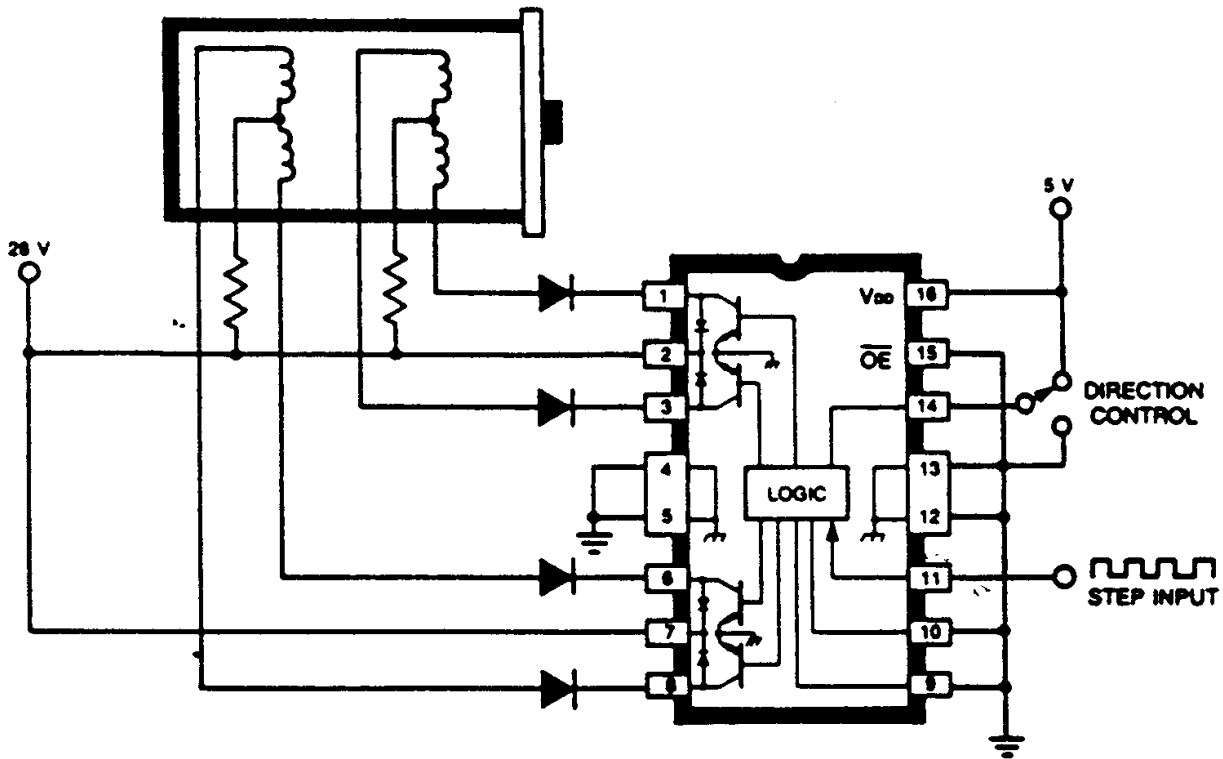
Half Step = L, One Phase = L				
Step	A	B	C	D
POR	ON	OFF	OFF	ON
1	ON	OFF	OFF	ON
2	ON	ON	OFF	OFF
3	OFF	ON	ON	OFF
4	OFF	OFF	ON	ON

HALF-STEP DRIVE SEQUENCE

Half Step = H, One Phase = L				
Step	A	B	C	D
POR	ON	OFF	OFF	OFF
1	ON	OFF	OFF	OFF
2	ON	ON	OFF	OFF
3	OFF	ON	OFF	OFF
4	OFF	ON	ON	OFF
5	OFF	OFF	ON	OFF
6	OFF	OFF	ON	ON
7	OFF	OFF	OFF	ON
8	ON	OFF	OFF	ON

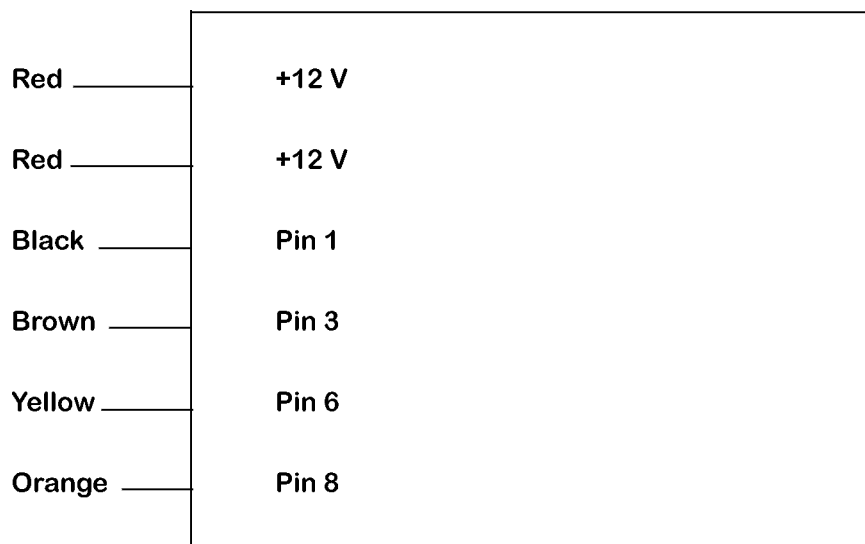
5804 BiMOS UNIPOLAR STEPPER MOTOR TRANSLATOR/DRIVER

TYPICAL APPLICATION L/R STEPPER-MOTOR DRIVE



Doc. No. SP-423A

5804 BiMOS UNIPOLAR STEPPER MOTOR TRANSLATOR/DRIVER



Connect the 5804 as follows:

Pin 1 to Black

Pin 3 to Brown

Pin 6 to Yellow

Pins 2 and 6 - Stepper Drive Voltage

Use the provided data sheet to make the remaining connections and supply your oscillator signal.