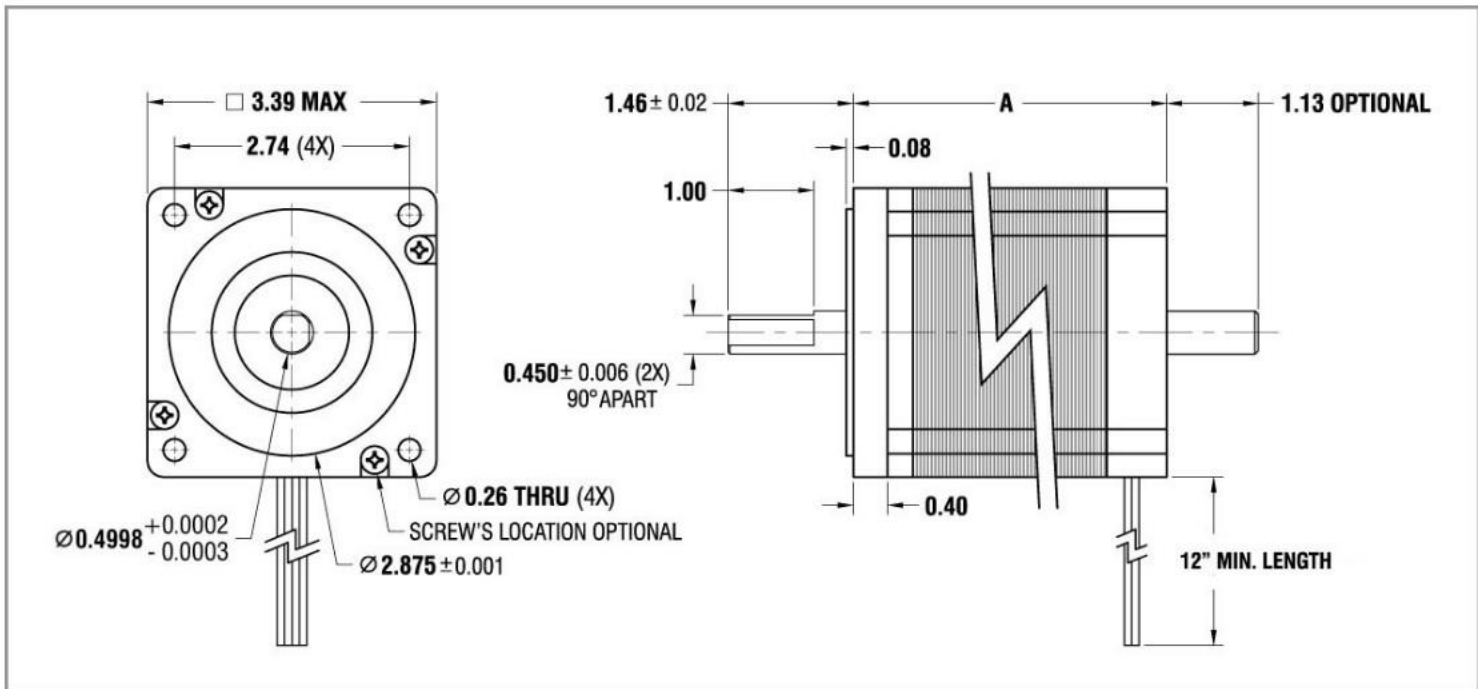


Specifications:

Step Angle:	1.8 Degree
Frame Size:	NEMA 34
Body Length (in):	2.64
Body Length (mm):	67.1
Current (AMP):	2.80
Holding Torque (oz-in):	434.0
Holding Torque (N-m):	3.06
Resistance:	1.00
Rotor Inertia (oz-in ²):	7.66
Number of leads:	4
Connection:	Parallel
Weight (lbs):	3.85
Branding:	PowerStep High Torque
Vacuum Rating:	

Standard Motor Dimensions



Model Number:	Length A (in)	Length A (mm)
8718S-01P	2.64 in	67.1 mm

8718S-01S Torque Curve

