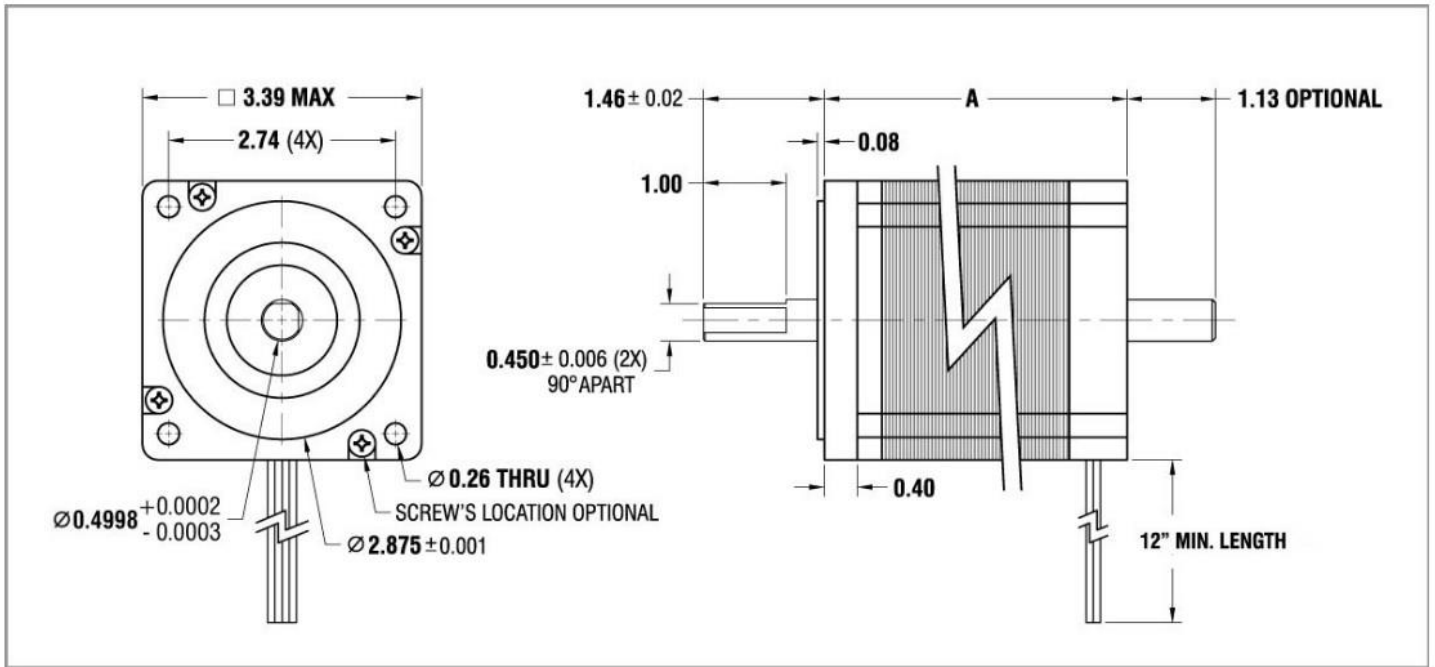


**Specifications:**

Step Angle:	1.8 Degree
Frame Size:	NEMA 34
Body Length (in):	5.00
Body Length (mm):	127.0
Current (AMP):	3.85
Holding Torque (oz-in):	1288.0
Holding Torque (N-m):	9.10
Resistance:	1.20
Rotor Inertia (oz-in <sup>2</sup> ):	21.90
Number of leads:	4
Connection:	Serial
Weight (lbs):	8.44
Branding:	PowerStep High Torque
Vacuum Rating:	

**Standard Motor Dimensions**



Model Number:	Length A (in)	Length A (mm)
<a href="#">8718L-08S</a>	5.00 in	127.0 mm

# 8718L-08S Torque Curve

**8718L-08S** 48VDC, 3.85 Amps/Phase, Bipolar Series, 1/2 Stepping  
**8718L-08P** 48VDC, 7.70 Amps/Phase, Bipolar Parallel, 1/2 Stepping

