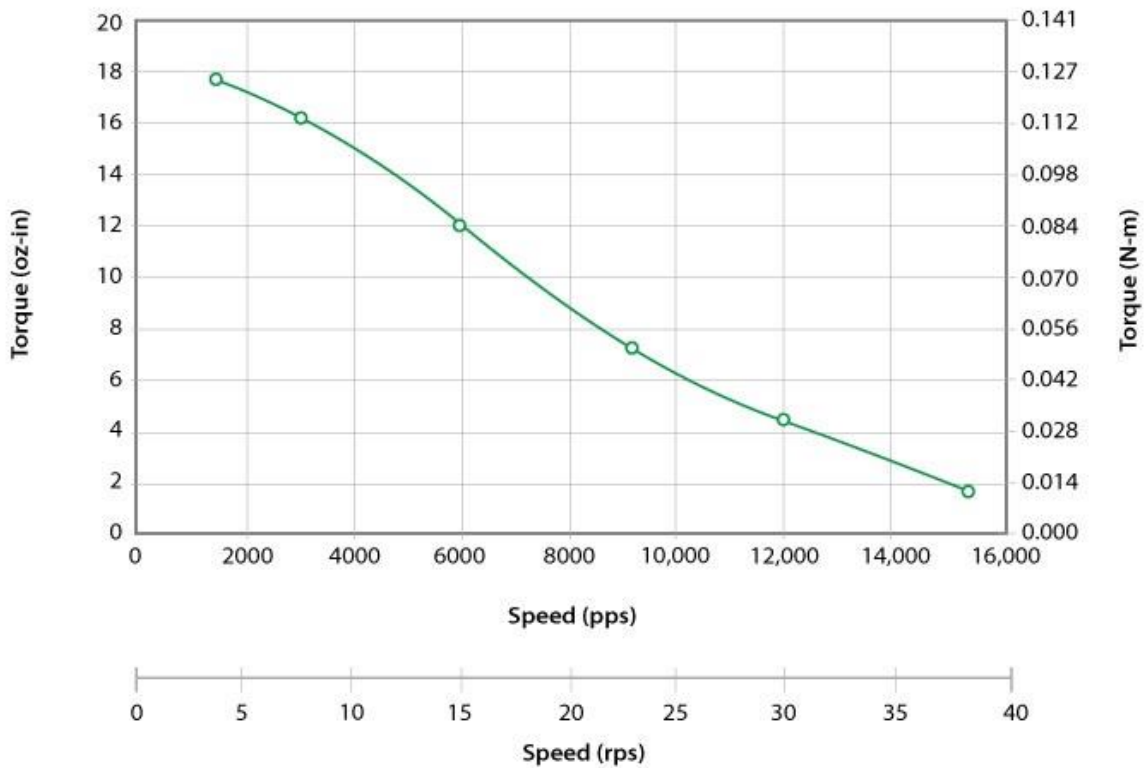


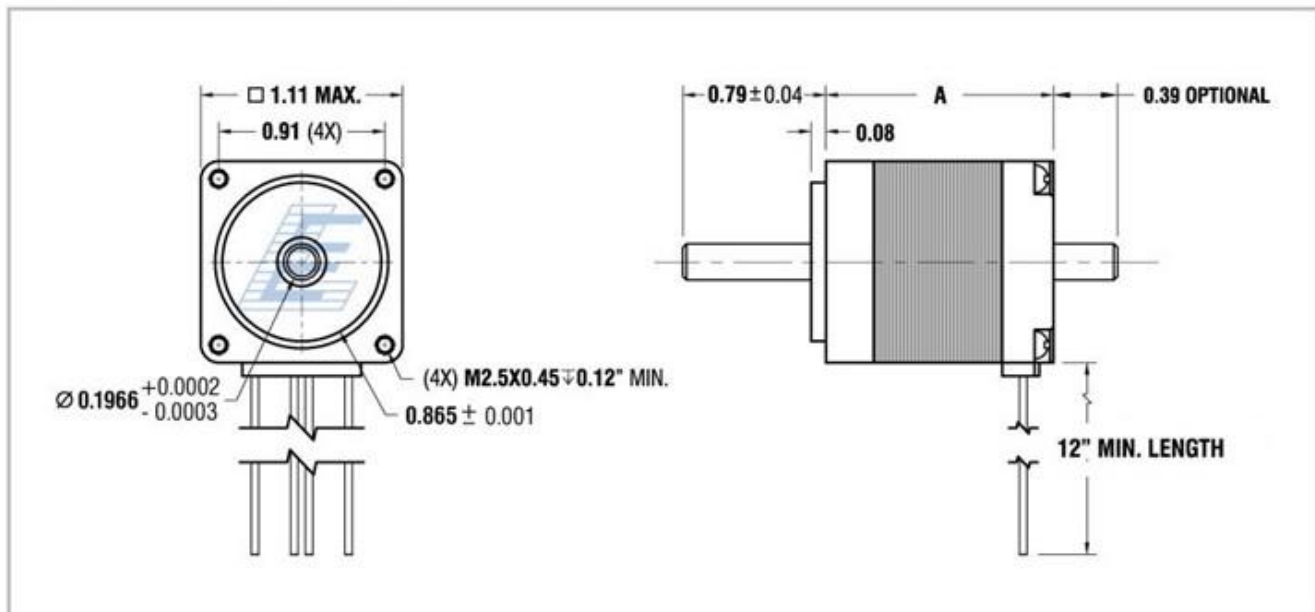
Specifications:

Step Angle:	1.8 Degree
Frame Size:	NEMA 11
Body Length (in):	2.01
Body Length (mm):	51.1
Current (AMP):	0.67
Holding Torque (oz-in):	16.6
Holding Torque (N-m):	0.12
Resistance:	8.60
Rotor Inertia (oz-in ²):	0.10
Number of leads:	4
Connection:	Bipolar
Weight (lbs):	0.44
Branding:	MiniStep Compact
Vacuum Rating:	

211-20-01 24VDC, 0.67 Amps/Phase, Bipolar, 1/2 Stepping



Standard Motor Dimensions



Model Number:	Length A (in)	Length A (mm)
211-20-01L	2.1 in	51.1 mm
211-20-01DL	2.1 in	51.1 mm
211-20-02L	2.1 in	51.1 mm
211-20-02DL	2.1 in	51.1 mm