



Concentric and Split Bobbin Vertical Profile Plug-in Transformers

for PC board power isolation

- **PC SERIES CONCENTRIC VERTICAL MOUNT** models provide operation frequencies from 47 to 500 Hz. Isolation between primary and secondary 1500V.
- **EL SERIES SPLIT BOBBIN VERTICAL MOUNT** models are available with a 50/60 Hz primary. Isolation between primary and secondary 2500V. Non-concentric design eliminates ESS.
- **PC AND EL SERIES** have the same dimensions and schematics, are available in the same sizes and mounting styles, and share the same general features listed below.

FEATURES

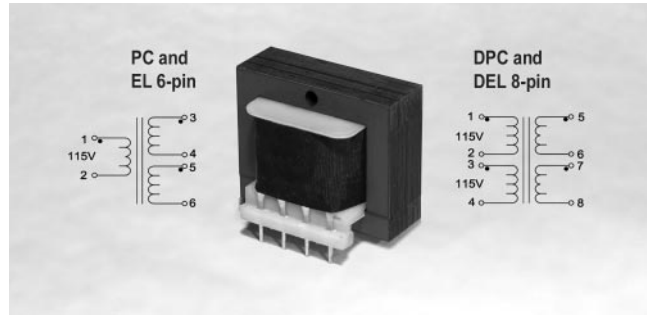
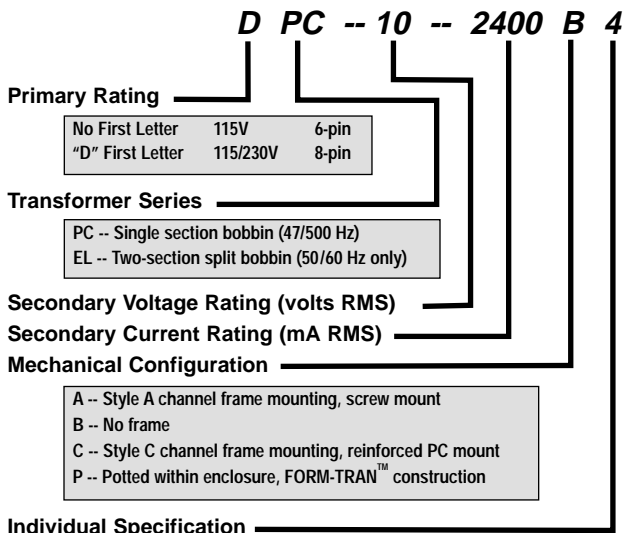
- Vacuum impregnated -- withstands modern board washing systems and reduces audible noise for quiet operation
- Baked resin -- provides fully cured and environmentally resistant finish that will not peel or flake
- Rugged construction
- Universal design compatible with industry-standard footprints
- Available in single or dual primary
- Secondaries may be connected in series or parallel
- Formtran enclosed potted unit available. See model code.

AGENCY APPROVALS

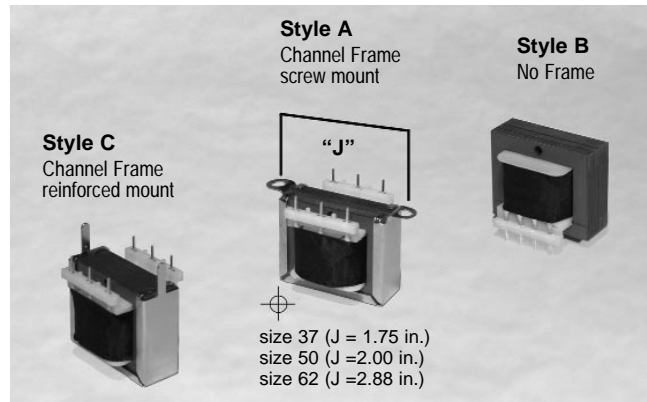
- UL, 506, File E73539
- UL 1446, File E80130
- CSA 22.2#66, File LR68051-2
- UL Recognized Class B



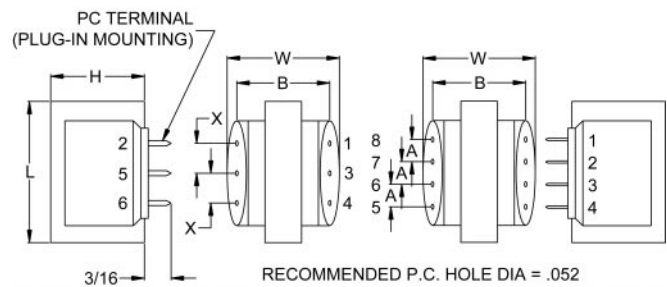
MODEL NUMBER CODE



PC Series (concentric) is shown; primary 47/500 Hz; EL Series (split bobbin) available; primary 50/60 Hz.



DIMENSIONS -- Style B (no frame) is shown. Contact sales for other dimensions.



SIZE	VA	WT (oz)	6-pin X	8-pin A	B	L	W	H
25	1.0	2.5	0.250	0.200	1.200	1	1.375	0.83
37	1.2	3	0.312	0.200	1.000	1.375	1.125	1.188
50	4.4	5	0.400	0.250	1.100	1.625	1.250	1.375
62	10	9	0.400	0.250	1.300	1.875	1.438	1.625
24	24	12	0.400	0.250	2.100	1.625	2.250	1.375

NOTES

Pulse Specialty Components reserves the right to make changes without notice.