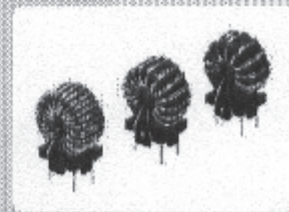


EMI/EMC Filters for Telephone Sets

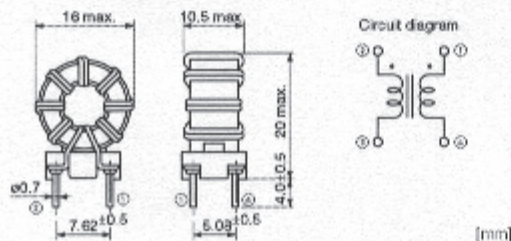
ST-101A, 201A, 202A



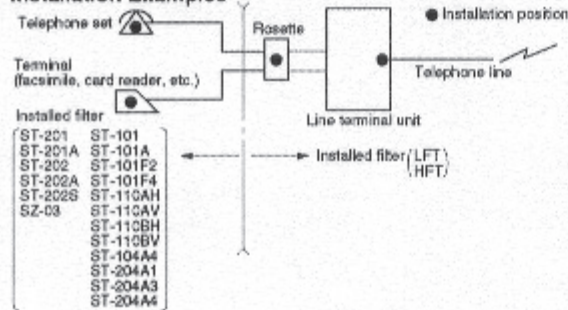
Model	Frequency range (MHz)	Impedance (kΩ) min	Rated voltage DC (V)	Rated current (mA)	DC resistance (mΩ/Line) max	Operating temperature range (°C)	Remarks
ST-101A	0.5 to 7	3 (at 0.5 MHz)	50	200	250	-20 to +65	AM band
ST-201A	7 to 40	1.5 (at 7 MHz)	50	200	150	-20 to +65	FM band
ST-202A	7 to 100	0.6 (at 100 MHz)	50	1000	50	-20 to +65	FM band

• Withstanding voltage: 500VDC (one minute, between lines) • Insulation resistance: more than 10MΩ (100VDC, between lines)

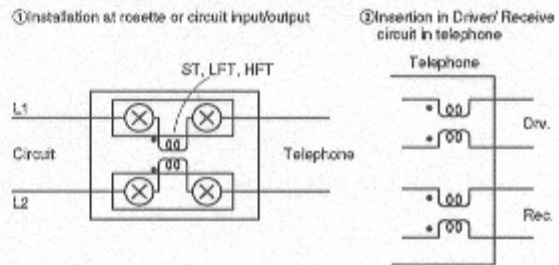
Shape and Dimensions/Circuit Diagram



Installation Examples



Design Examples



Impedance vs. Frequency

